

# PRODUCT INFORMATION PACKET

Model No: 5KH36KNB633X

Catalog No: H344

1/4 HP Carbonator Pump Motor, 1 phase, 1800 RPM, 115/230 V, 48Z Frame, ODP  
Carbonator Pump Motors



Regal and Marathon are trademarks of Regal Beloit Corporation or one of its affiliated companies.  
©2020 Regal Beloit Corporation, All Rights Reserved. MC017097E

**REGAL**

### Nameplate Specifications

Output HP	0.25 Hp	Output KW	0.19 kW
Frequency	60 Hz	Voltage	115/230 V
Current	4.3,2.2 A	Speed	1725/1425 rpm
Service Factor	1	Phase	1
Efficiency	64.9 %	Power Factor	0
Duty	Continuous	Insulation Class	B
KVA Code	P	Frame	48Z
Enclosure	Drip Proof	Thermal Protection	AUTO
Ambient Temperature	40 °C	Drive End Bearing Size	6203
Opp Drive End Bearing Size	6203	UL	Recognized
CSA	Yes	CE	N

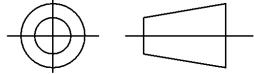
### Technical Specifications

Electrical Type	Split Phase	Starting Method	SM
Poles	4	Rotation	Counterclockwise/Clockwise
Mounting	Resilient Base	Motor Orientation	ANY
Drive End Bearing	BALL	Opp Drive End Bearing	Ball
Frame Material	Rolled Steel	Overall Length	8.75 in
Frame Length	6.22 in	Shaft Diameter	0.630 in
Shaft Extension	0.17 in		
Outline Drawing	52A111834P1	Connection Drawing	52A105383AA

This is an uncontrolled document once printed or downloaded and is subject to change without notice. Date Created:03/11/2020

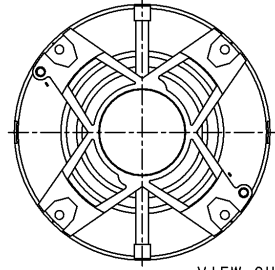
SHEET 1  
REV 1  
52A111834  
SIZE DRAWING NO. A

THIRD ANGLE PROJECTION

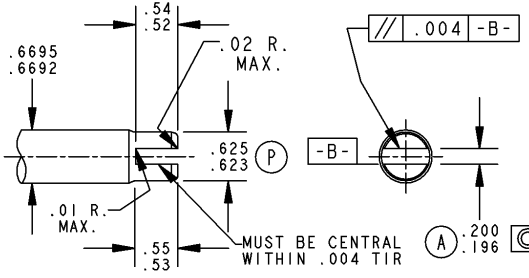
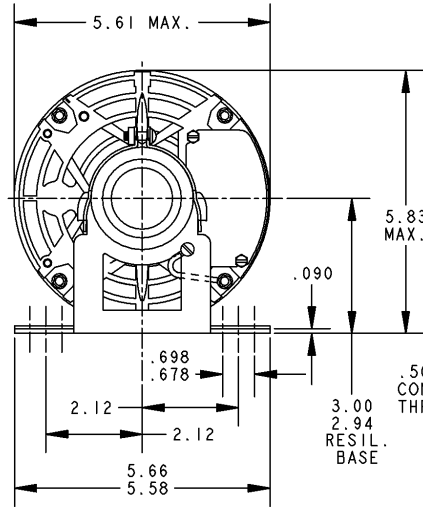


REVISIONS

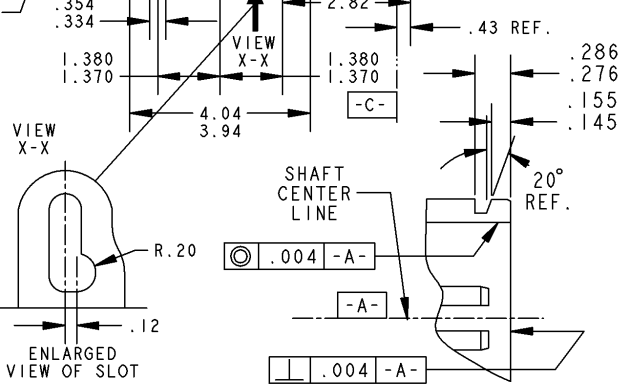
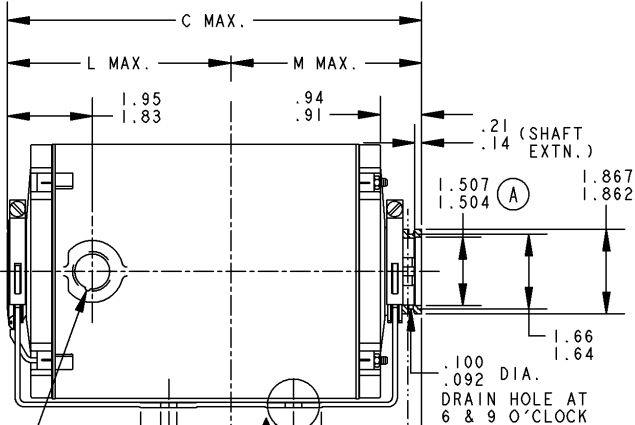
REV.	DESCRIPTION	DATE	APPROVED
I	ADDED PART# 2 PER ISO7-2678	01/28/08	BOMMU



VIEW SHOWING P.E. VENTILATION OPENINGS



CONTROL SURFACES & DIMENSIONS  
 (P) PROC.  
 (E) ENG.  
 (A) APPL.  
 (R) REG.



2	KH	37	48Y	9.15	5.01	4.28
1	KH	36	48Y	8.75	4.61	4.28
P	TYPE	RBC SIZE	NEMA FR	C	L	M

SIGNATURES DATE

MODEL	VINAY	12/10/07
DETAIL	.	.
CHECKED	.	.
ENGRG	.	.
MFG	.	.

FOR ADDITIONAL INFO REFER TO:  
 APPLIED PRACTICES  
 DIMENSIONS ARE IN INCHES

QUALITY	.	.
ISSUED	VINAY	12/10/07

MATERIAL SOLID MODEL: 52A111834



REGAL-BELOIT CORPORATION

TITLE  
**OUTLINE**  
**CARBONATOR PUMP - DRIP PROOF**  
**RESIL. BASE - BALL BRG.**

SIZE DRAWING  
**52A111834** REV **1**  
 SCALE: 1.000 REF. No. . SHEET 1 of 1

EITHER ROTATION, DUAL VOLTAGE, TYPE KC OR KH, WITH THERMAL PROTECTION



NOTE #1 - START CAP & J9 WHEN SPECIFIED (\*). IF NO CAPACITOR (KH), CONNECT T5 DIRECTLY TO SWITCH (A). WHEN MORE THAN ONE CAPACITOR IS USED, CONNECT IN PARALLEL.

NOTE #2 - TO REVERSE ROTATION, INTER CHANGE RD(T8) AND BLK(J9-KC OR T5-KH) LEADS.

SWITCH REF. - 115D958AB	CONNECTION LABEL	CCW ROTATION: NP52X332051AA
		CW ROTATION: NP52X332051AC

NO.	REVISION	BY & DATE	CHK	TOLERANCES UNLESS SPECIFIED		FINISH	DRAWN M.D.P 06/29/87	
				DEC.	INCHES			
				.X	±0.1	<b>REGAL-BELOIT CORPORATION</b>	CHK	
				.XX	±0.02		TITLE	APPD M.D.P 03/26/96
5	ADDED CONNECTION LABEL PER ECO-0030779	UD 02/06/13	PKG	.XXX	±0.005	CONNECTION DIAGRAM 30 FRAME SWITCH REDESIGN	SCALE 1=1	
4	UPDATED PER ISO7-0150	MD 01/23/07		.XXXX	±0.0005		MAT'L.	REF
				ANG	±1.0		FMF	
				RFP		CAD FILE 52A105383AA	PREV	
THIS DRAWING IN DESIGN AND DETAIL IS OUR PROPERTY AND MUST NOT BE USED EXCEPT IN CONNECTION WITH OUR WORK. ALL RIGHTS OF DESIGN AND INVENTION ARE RESERVED. THIS IS AN ELECTRONICALLY GENERATED DOCUMENT - DO NOT SCALE THIS PRINT				DIST		SIZE A	DRAWING NO. 52A105383AA	REV. 5